

Inductive sensor

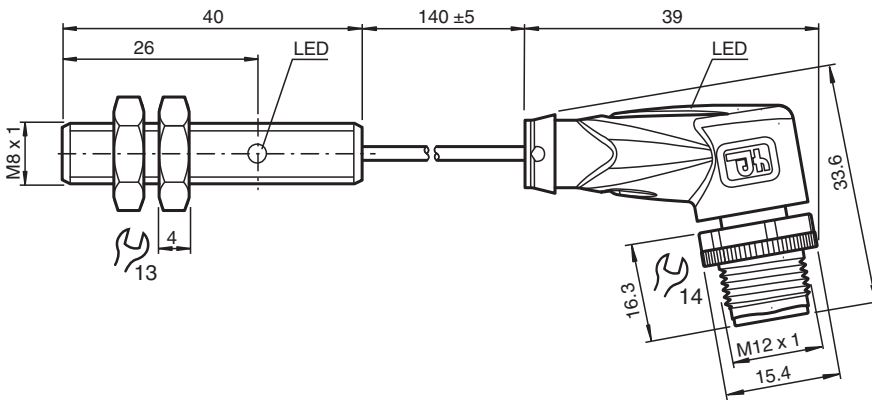
NJ1,5-8GM40-E2-0,14M-V1



- 1.5 mm flush
- Pigtail quick disconnect
- LEDs integrated into the plug to indicate operating status and function



Dimensions



Technical Data

General specifications		
Switching function		Normally open (NO)
Output type		PNP
Rated operating distance	s_n	1.5 mm
Installation		flush
Output polarity		DC
Assured operating distance	s_a	0 ... 1.215 mm
Reduction factor r_{Al}		0.25
Reduction factor r_{Cu}		0.2
Reduction factor r_{304}		0.7
Output type		3-wire
Nominal ratings		
Operating voltage	U_B	10 ... 30 V
Switching frequency	f	0 ... 500 Hz
Hysteresis	H	typ. 5%
Reverse polarity protection		reverse polarity protected
Short-circuit protection		pulsing

Release date: 2023-06-13 Date of issue: 2023-06-13 Filename: 255897_eng.pdf

Refer to "General Notes Relating to Pepperl+Fuchs Product Information".

Pepperl+Fuchs Group
www.pepperl-fuchs.com

USA: +1 330 486 0001
fa-info@us.pepperl-fuchs.com

Germany: +49 621 776 1111
fa-info@de.pepperl-fuchs.com

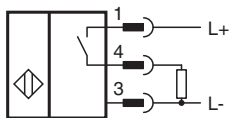
Singapore: +65 6779 9091
fa-info@sg.pepperl-fuchs.com

PEPPERL+FUCHS

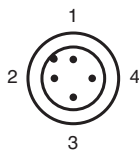
Technical Data

Voltage drop	U_d	$\leq 3\text{ V}$
Operating current	I_L	0 ... 100 mA
Off-state current	I_r	$\leq 10\ \mu\text{A}$
No-load supply current	I_0	$\leq 20\text{ mA}$
Switching state indicator		LED, yellow
Functional safety related parameters		
MTTF _d		2190 a
Mission Time (T _M)		20 a
Diagnostic Coverage (DC)		0 %
Compliance with standards and directives		
Standard conformity		
Standards		EN 60947-5-2:2007 IEC 60947-5-2:2007
Ambient conditions		
Ambient temperature		-25 ... 70 °C (-13 ... 158 °F)
Mechanical specifications		
Connection type		Cable connector PUR , 0.14 m
Core cross section		0.14 mm ²
Sensing face		LCP
Degree of protection		IP67




Connection



Connection Assignment



Accessories

	BF 8	Mounting flange, 8 mm
	MH V1-SCREWDRIVER	Torque screwdriver (0.6 Nm)
	MH V1-BIT M12	plug-in cap M12

Release date: 2023-06-13 Date of issue: 2023-06-13 Filename: 255697_eng.pdf